



MONO Block
MOI-100

Identification Systems

Reference

MOI-100 MONO Block



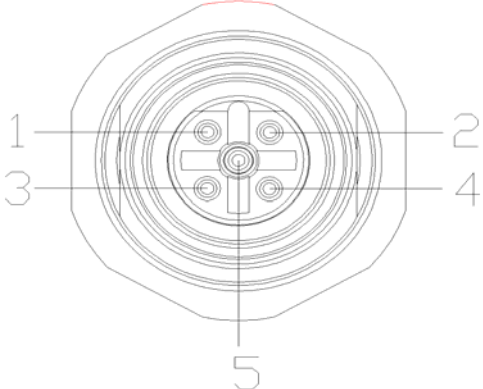
Description

The MOI 100 MONO block enables the user to read/write data to and from TAI/512 passive RFID tags.

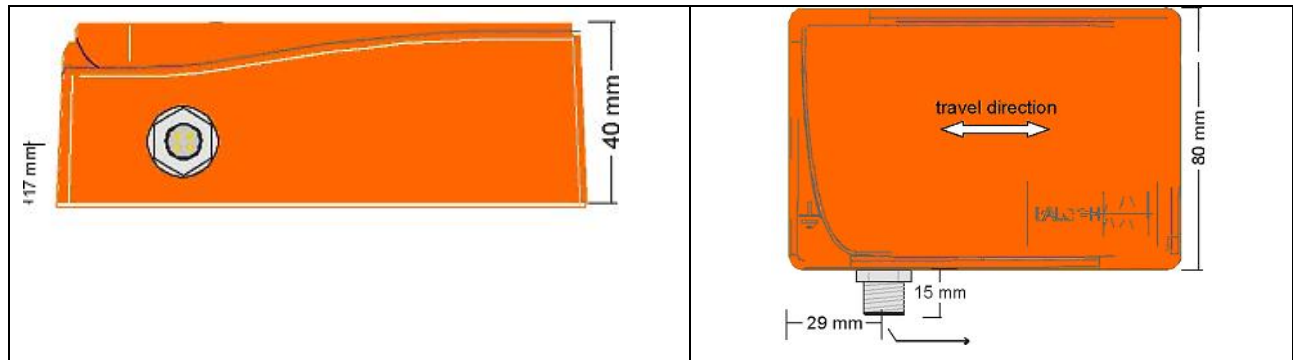
In normal mode (led on), the MOI 100 generates a permanent field enabling auto read. This enables any incoming tag to be read automatically.

The system communicates with the computer through a RS 232 connection (that can be changed into RS 422/RS 485 via converter).Its parameters are configured through dialogue with a PC equipped with a communication utility program (you can download from www.balogh-rfid.com).

Connection

Pin	Assignment	
1	U power supply	
2	RS232 -Tx	
3	RS232 -Rx	
4	0 V power	
5	RS232 common	

Dimensions



Transmission Characteristics – MOI-100 MONO Block

			TAI 50	TAI ISO		
Maximum Range	H	mm	20	17		
Typical Height	Sr	mm	8	7		
TAG Tilt	<°	°	< 20	< 20		
Distance Between MONO Blocks (D)			1200*	1200*		
Distance Between TAGS			1200*	1200*		

Note: *Ranges may vary based upon application environment

Specifications	MOI-100 MONO Block
Supply Voltage (<10% Ripple)	24 VDC
Protection Against Reverse Polarity	Yes
Protection Against Short Circuit	Yes
Supply Current @24VDC	450 mA

Mechanical Characteristics	
Ambient Operating Temperature	-25°C to +70°C
Protection Degree	IP 65-67