

BALOGH



BS-46/** Serial Control Board

RFID Serial Interface

Industrial Product Range



Key For Tag Suffix

Suffix	Tag Series Description
X	OMX High Speed Industrial R/W Tag Series
E	GIE Industrial R/W Enhanced Speed Tag Series
A	OMA Industrial R/W Tag Series
F	OF Read-Only 7 Byte Industrial Tag Series
L	OLR Long Range 2 Byte Read-Only Industrial Tag
P	OP Light Industrial R/W Tag Series
FC	TAF High Speed R/W Light Industrial Tag Series
IC	TAI Light Industrial R/W Tag Series

Ordering Information

When assembling your part number, please include the corresponding tag suffix.

Example: BS-46/XX. - OMX High Speed Industrial R/W Tag Series. (Cables Sold Separately)

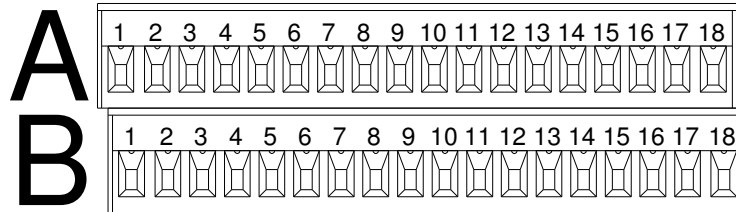
Characteristics

The BS-46 Serial Interface Unit controls communication between BALOGH'S electronic TAGS and Transceivers. The BS-46 has one serial link, configurable to RS-422, RS-485, or RS-232. It has two transceiver channels that function independently and simultaneously of each other and DIP switches are used to configure communication protocol, slave number, baud rate (up to 19200 baud), and parity (even or odd). The BS-46 has 3 Operating Modes (DA) Direct Access Mode, (AR) Automatic Read Mode, and (CO) Controlled Operating Mode.

Features:

- LED Status Indications for TAG Presence, Transceiver/TAG Fault, Command Execution
- Controls up to (2) Transceivers

Installation Information/Cable Pin Outs



- A1 - COMMON TERMINAL FOR INPUTS
- A2 - INPUT 1 = DCY 11
- A3 - INPUT 1 = DCY 12
- A4 - INPUT 1 = DCY 13
- A5 - INPUT 1 = DCY 14
- A6 - INPUT 1 = DCY 21
- A7 - INPUT 1 = DCY 22
- A8 - INPUT 1 = DCY 23
- A9 - INPUT 1 = DCY 24
- A10 - + U VOLTAGE
- A11 - + U POWER SUPPLY
- A12 - UNUSED
- A13 - T/R 2 + U POWER SUPPLY (BROWN-V)
- A14 - T/R 2 INPUT (WHITE-S)
- A15 - UNUSED
- A16 - T/R 1 + U POWER SUPPLY (BROWN-V)
- A17 - T/R 1 INPUT (WHITE-S)
- A18 - UNUSED

- B1 - 0 VOLT
- B2 - OUTPUT 1 = SURV
- B3 - OUTPUT 2 = ENR
- B4 - OUTPUT 3 = DEF
- B5 - OUTPUT 4 = PRE
- B6 - OUTPUT 5 = SURV
- B7 - OUTPUT 6 = ENR
- B8 - OUTPUT 7 = DEF
- B9 - OUTPUT 8 = PRE
- B10 - COMMON FOR OUTPUT
- B11 - 0 VOLT POWER SUPPLY
- B12 - 0 VOLT
- B13 - T/R 2 0 VOLT (BLACK-0)
- B14 - T/R 2 OUTPUT (BLUE-E)
- B15 - 0 VOLT
- B16 - T/R 1 0 VOLT (BLACK-0)
- B17 - T/R 1 OUTPUT (BLUE-E)
- B18 - UNUSED

WHEN USING RS-485 LINK, THE FOLLOWING PINS ON THE 25 PIN CONNECTOR CABLE MUST BE JUMPED FROM:

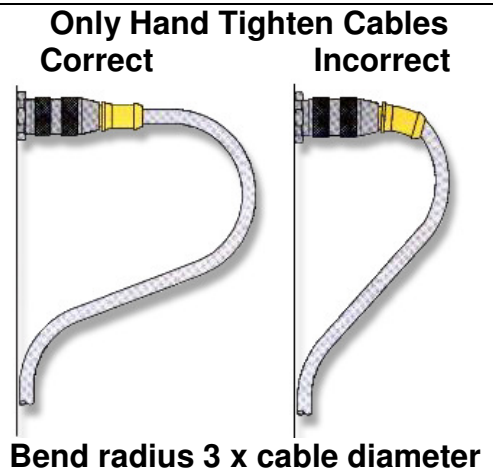
- PIN 12 TO 24
- PIN 11 TO 25

COLOR CODE REFERS TO ONLY BALOGH CABLING

Cabling And Accessories (SOLD SEPERATELY)

Transceiver Cable - SEF/ST/**
Standard Cable Lengths are 2, 5m, 25, 50, 75, 100ft

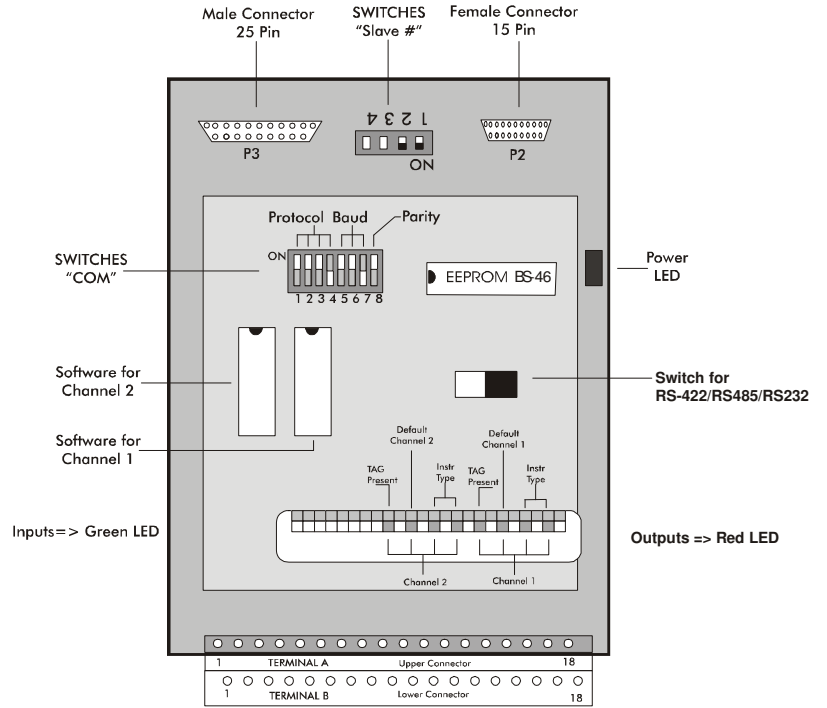
** Indicates Cable Length Please Contact Balogh for other cable lengths.



Technical Information

- 2 Transceiver Channels
- Operating Temperature 0° to 50° C
- Weight - 750 Grams
- 24 VDC (± 2%)
- Consumes 70 mA of current (without transceivers) 370 mA (w/Transceivers)

Status LED'S & Part Locations



Dimensional Drawing

